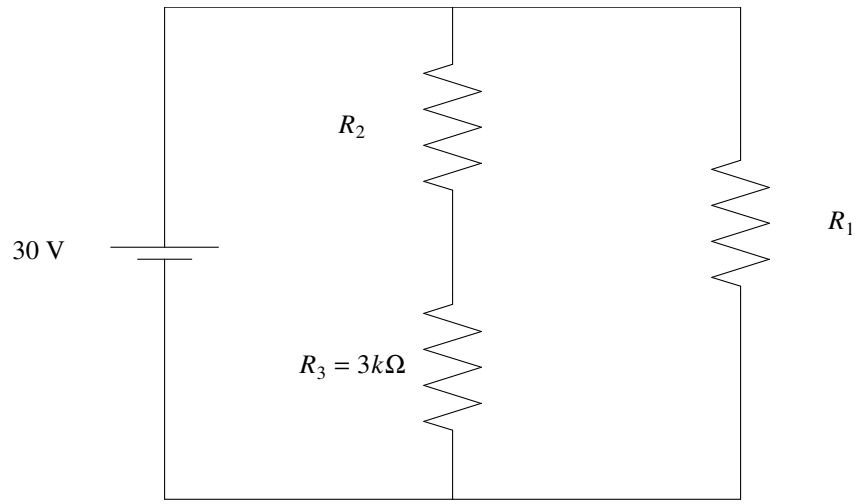
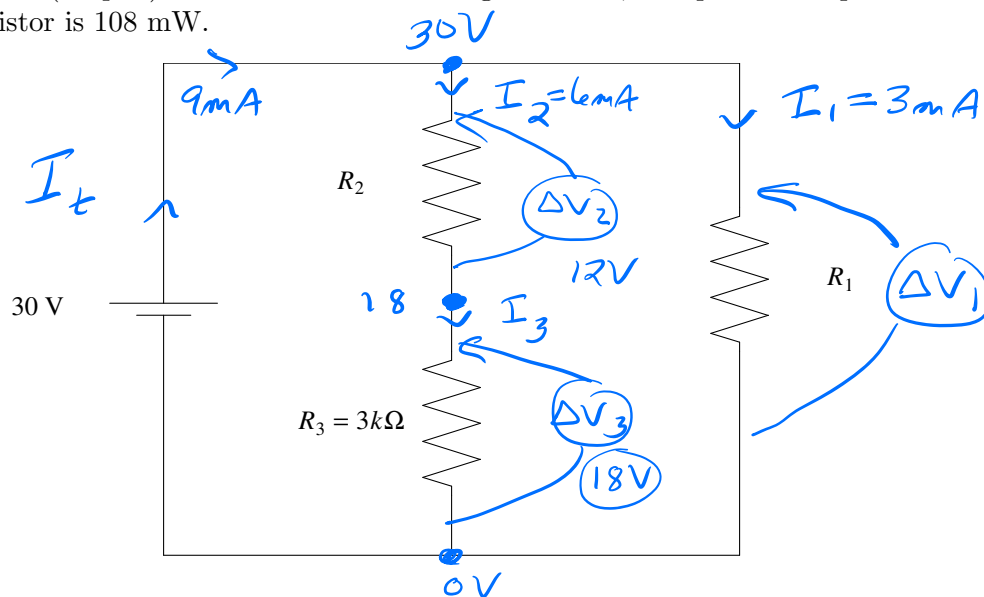


Problem 3: (30 pts.) In the circuit in the figure below, the power dissipated in the $3.00\text{ k}\Omega$ resistor is 108 mW .



- a. (10 pts.) What is the current through resistor R_3 ?
- b. (10 pts.) What is the voltage across resistor R_2 ?
- c. (10 pts.) The total power delivered by the battery is 270 mW . What is the resistance of R_1 ?

Problem 3: (30 pts.) In the circuit in the figure below, the power dissipated in the $3.00 \text{ k}\Omega$ resistor is 108 mW .



a. (10 pts.) What is the current through resistor R_3 ?

$$P_3 = 108 \text{ mW} = I_3 (\Delta V_3) = I_3 (I_3 R_3) = I_3^2 R_3$$

$$I_3 = \sqrt{P_3 / R_3} = \sqrt{\frac{108 \text{ mW}}{3 \text{ k}\Omega}} = 6 \text{ mA}$$

$$\text{note: } I_3 = I_2 !$$

b. (10 pts.) What is the voltage across resistor R_2 ?

$$\Delta V_2 = I_2 R_2$$

$$30 \text{ V} - \Delta V_2 - \Delta V_3 = 0$$

$$30 \text{ V} - \Delta V_3 = \Delta V_2$$

$$\boxed{\Delta V_2 = 12 \text{ V}}$$

$$\text{(note: } R_2 = 2 \text{ k}\Omega)$$

$$\Delta V_3 = I_3 R_3$$

$$= (6 \text{ mA})(3 \text{ k}\Omega)$$

$$= 18 \text{ V}$$

c. (10 pts.) The total power delivered by the battery is 270 mW . What is the resistance of R_1 ?

$$\Delta V_1 = I_1 R_1 \quad \text{what is } I_1 ?$$

$$P_{\text{E}} = \mathcal{E} I_t = (30 \text{ V}) I_t = 270 \text{ mW} \Rightarrow I_t = 9 \text{ mA}$$

$$\text{KCL: } I_t = I_1 + I_2 \Rightarrow I_1 = I_t - I_2 = 12 \text{ mA} - 9 \text{ mA}$$

$$I_1 = 3 \text{ mA}$$

$$R_1 = \frac{\Delta V_1}{I_1} = \frac{30 \text{ V}}{3 \text{ mA}} = \boxed{10 \text{ k}\Omega = R_1}$$

Look at power for an alternate approach.

$$P_{\mathcal{E}} = 270 \text{ mW}$$

$$P_3 = 108 \text{ mW}$$

$$P_2 = I_2 (\Delta V_2) = (6 \text{ mA})(12 \text{ V}) = 72 \text{ mW}$$

then conserve energy

$$P_{\mathcal{E}} = P_1 + P_2 + P_3$$

$$\text{so } P_1 = P_{\mathcal{E}} - P_2 - P_3$$

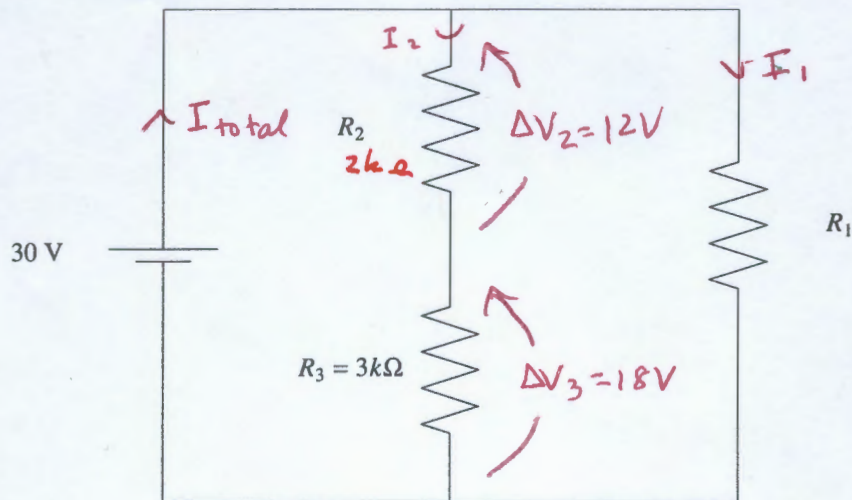
$$= 270 \text{ mW} - 108 \text{ mW} - 72 \text{ mW} = 90 \text{ mW}$$

$$P_1 = 90 \text{ mW} = I_1 (\Delta V_1)$$

$$I_1 = \frac{90 \text{ mW}}{30 \text{ V}} = 3 \text{ mA, as before}$$

$$R_1 = \frac{\Delta V_1}{I_1} = \frac{30 \text{ V}}{3 \text{ mA}} = 10 \text{ k}\Omega, \text{ as before}$$

Problem 3: (30 pts.) In the circuit in the figure below, the power dissipated in the $3.00 \text{ k}\Omega$ resistor is 108 mW .



a. (10 pts.) What is the current through resistor R_3 ?

$$P_3 = (\Delta V_3) I_3 = (I_3 R_3) I_3 = I_3^2 R_3$$

$$I_3 = \sqrt{P_3 / R_3} = \sqrt{108 \text{ mW} / 3 \text{ k}\Omega} = \boxed{6 \text{ mA}}$$

b. (10 pts.) What is the voltage across resistor R_2 ?

$$\Delta V_3 = I_3 R_3 = (6 \text{ mA})(3 \text{ k}\Omega) = 18 \text{ V}$$

$$\Delta V_2 + \Delta V_3 = 30 \text{ V} \Rightarrow \boxed{\Delta V_2 = 12 \text{ V}}$$

(note: this means $R_2 = 2 \text{ k}\Omega$.)

c. (10 pts.) The total power delivered by the battery is 270 mW . What is the resistance of R_1 ?

$$I_{\text{total}} = ? \quad \mathcal{E} I_{\text{total}} = 270 \text{ mW}$$

$$I_{\text{total}} = \frac{270 \text{ mW}}{30 \text{ V}} = 9 \text{ mA}$$

$$I_1 = 9 \text{ mA} - 6 \text{ mA} = 3 \text{ mA}$$

$$\Delta V_1 = I_1 R_1$$

$$30 \text{ V} = (3 \text{ mA})(R_1) \Rightarrow \boxed{R_1 = 10 \text{ k}\Omega}$$

OR: $P_{\text{total}} = 270$, $P_2 = 72 \text{ mW}$, $P_3 = 108 \text{ mW}$, $P_1 = 90 \text{ mW}$.