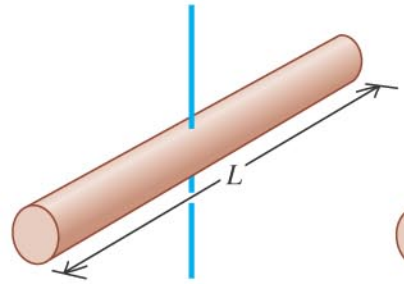


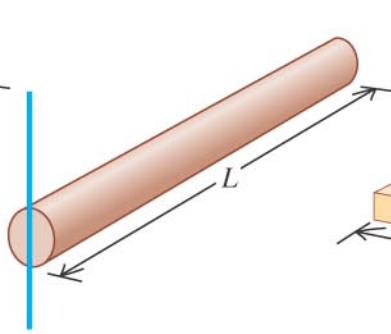
(a) Slender rod, axis through center

$$I = \frac{1}{12}ML^2$$



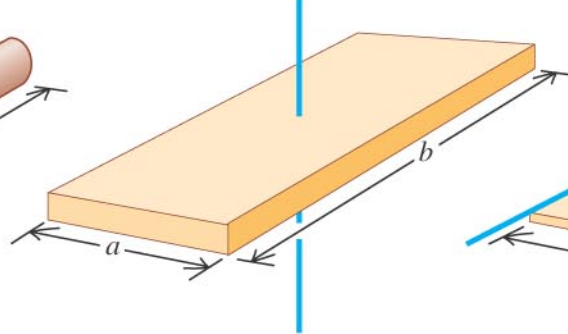
(b) Slender rod, axis through one end

$$I = \frac{1}{3}ML^2$$



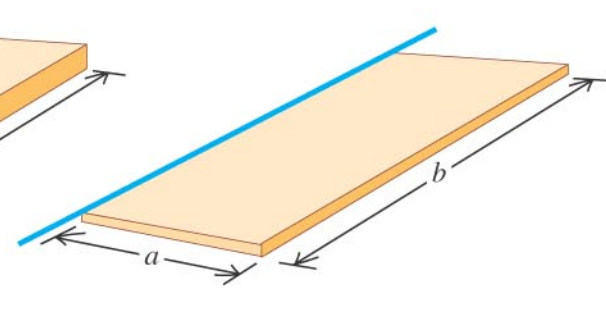
(c) Rectangular plate, axis through center

$$I = \frac{1}{12}M(a^2 + b^2)$$



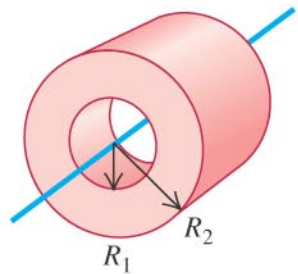
(d) Thin rectangular plate, axis along edge

$$I = \frac{1}{3}Ma^2$$



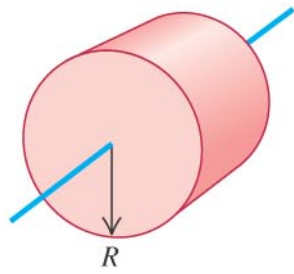
(e) Hollow cylinder

$$I = \frac{1}{2}M(R_1^2 + R_2^2)$$



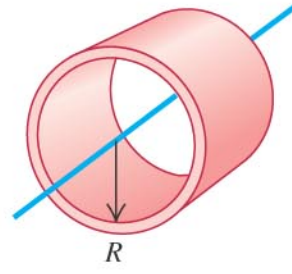
(f) Solid cylinder

$$I = \frac{1}{2}MR^2$$



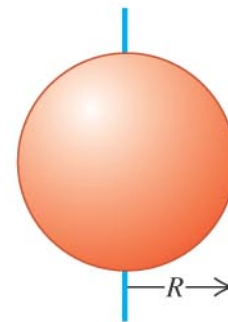
(g) Thin-walled hollow cylinder

$$I = MR^2$$



(h) Solid sphere

$$I = \frac{2}{5}MR^2$$



(i) Thin-walled hollow sphere

$$I = \frac{2}{3}MR^2$$

